

EBA1840

8-Megapixel True Day/Night
Outdoor IR Ball Camera

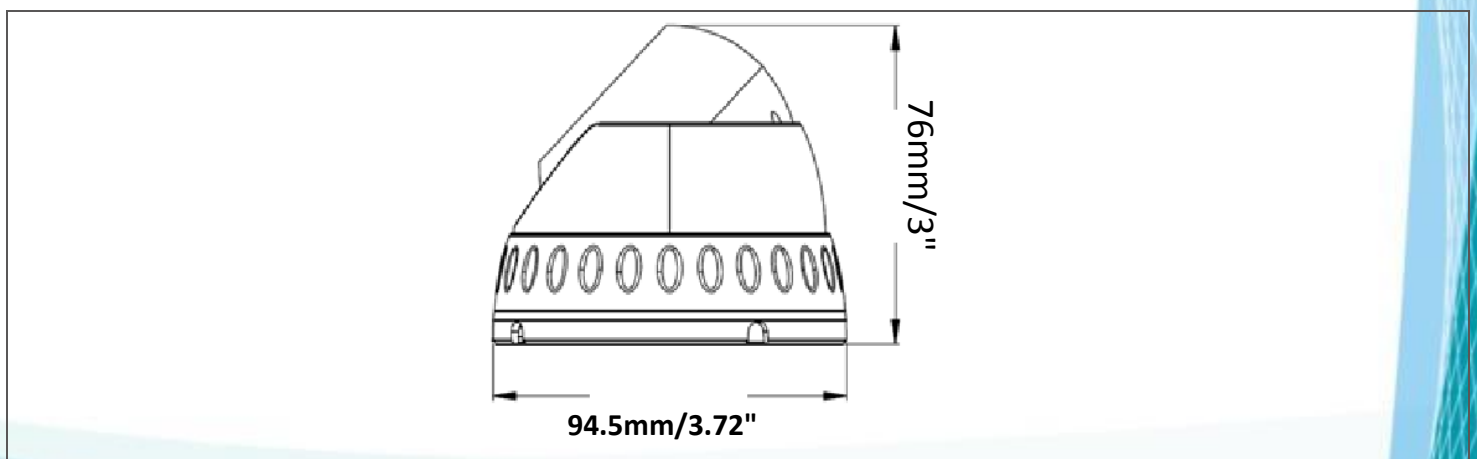
eZ.HD



Features

- 8MP OmniVision CMOS sensor, delivering amazing high sensitivity
- 4mm fixed lens with ICR to capture the desired field of view
- Extended IR range of up to 20m /66ft. with 18 LEDs (depends on scene IR reflectivity)
- T-WDR to improve the visibility under high contrast scene
- The flexible angle viewing with its 3-Axis rotation design allows wall or ceiling mounting
- IP66-rated with metal housing
- Supports UTC function: Control camera OSD settings directly from DVR end

Dimensions



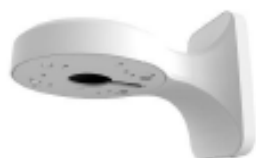
Optional Accessories

BA-E310



Color: White
 Size (Φ x H): 101 x 52mm / 3.98" x 2"
 Weight: 540g / 1.2lb
 Material: Metal

BAE173



Color: White
 Size (W x D x H): 173 x 111 x 114mm / 6.81" x 4.37" x 4.49"
 Weight: 700g / 1.5lb
 Material: Metal

Specifications

| Model No. | EBA1840 | | |
|--------------------|--|------------------------|--------------------------------------|
| Pickup Device | 8MP OmniVision CMOS sensor | Video Format | AHD / TVI / CVI / CVBS |
| System Format | NTSC / PAL (Auto Detection) | S/N Ratio | ≥50dB |
| Effective Pixels | 3840 (H) x 2160 (V) | OSD Languages | ENG / CHN / CHN(S) / JPN / KOR / POR |
| Scanning System | Progressive Scan | DNR | Off / Middle / High / Low |
| Sensitivity | 0 Lux with IR On | T-WDR | 96dB |
| Electronic Shutter | 1/30s~1/30,000s | Sens-up | Not supported |
| Gamma Correction | 0.45 / 0.55 / 0.65 / 0.75 | Mirror / Flip | Off / On |
| Lens Type | 4mm fixed lens with ICR, F1.6 | Motion Detection | Supported |
| FOV (D x H x V) | 101.5° x 87° x 47.3° | Privacy Mask | Supported |
| BLC | Off / BLC / HLC / WDR | Environmental | IP66 Weather Resistant |
| AGC | Auto | Power Source | 12VDC, 550mA |
| White Balance | Supported | Max. Power Consumption | 6.6W |
| Sync. Mode | Internal | Operating | -10°C ~ 50°C / 14°F ~ 122°F |
| Day / Night | Supported | Humidity | Less than 95% |
| UTC Function | Supported | Dimensions (Φ x H) | 94.5 x 76mm / 3.72" x 3" |
| IR LEDS | 18 Units | Weight | 450g / 1lb |
| IR Distance | Up to 20m / 66ft. (Depends on scene IR reflectivity) | Certificates | CE, FCC, RoHS |

Find Out More At:

EverFocus Taiwan HQ:
 TEL: +886 2 2662 2338
www.everfocus.com.tw
marketing@everfocus.com.tw

EverFocus USA - California:
 TEL: +1 626 844 8888
www.everfocus.com
sales@everfocus.com

International Branch Offices:
 China, Japan

