

EMF917F

2MP, 180°, AHD Mobile IR Fisheye Camera

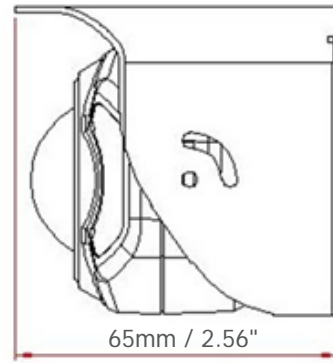
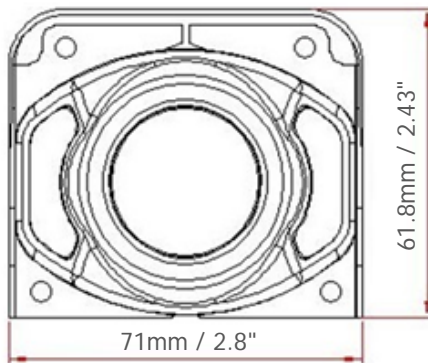


Features

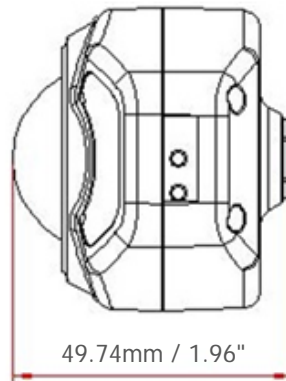
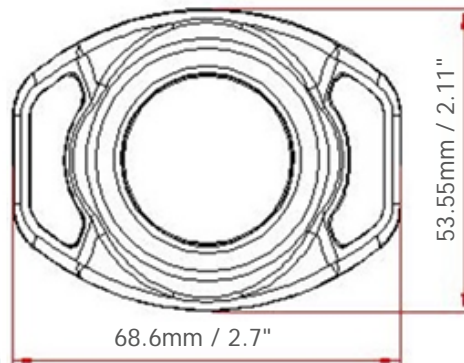
- 1080p Full HD with high flexibility and performance for astounding image
- 1080p CMOS sensor, delivering amazing high sensitivity
- 180° horizontal wide angle
- Astounding image quality from the fisheye lens
- Extended IR range up to 10m / 33ft. with 4 LEDs (depends on scene IR reflectivity)
- Supports HW De-warp
- True Day/Night with ICR

Dimensions

With Bracket



Without Bracket



Product Selection

Viewing Angle	Scanning System	Cable Type	PN
180°	NTSC	BNC + 12VDC Power	2W09170FNB0001R
		M12	2W09170FNB0005R
		Mini DIN	2W09170FNB0002R
	PAL	BNC + 12VDC Power	2W09170FPB0001R
		M12	2W09170FPB0005R
		Mini DIN	2W09170FPB0002R

Specifications

Model No.	EMF917F		
Pickup Device	1/2.8" Sony 2MP CMOS Sensor	Day / Night	Supported
Video Format	NTSC / PAL	De-warp	Supports HW de-warp (optional)
Effective Pixels	1920 (H) x 1080 (V)	Scanning System	Progressive Scan
Sensitivity	0 Lux with IR On	Power Source	12VDC
Unit Cell Size	2.9 μm×2.9μm	Power Consumption	6W max.
Lens Type	1.72mm Fisheye Lens	Environmental	IP68 Weather Resistant
Lens F.O.V.	H:180°, F:2.0	Humidity	Less than 80%
Cable Types (Selectable)	BNC + 12VDC Power M12 (video signal and power) Mini DIN (video signal and power)	Dimensions (H x W x D)	71 x 61.8 x 65mm / 2.8" x 2.43" x 2.56" (with Bracket)
IR LEDs	4 IR LEDs	Weight	226g / 0.5lb
IR Distance	Up to 10m / 33ft. (depends on scene IR reflectivity)	Operating Temperature	0°C ~ 55°C / 32°F~131°F
Certificates	CE, FCC, E-Mark, EN50155, RoHS		

Find Out More At:

EverFocus Taiwan HQ:

TEL: +886 2 2662 2338 2334
www.everfocus.com.tw
marketing@everfocus.com.tw

EverFocus USA - California:

TEL: +1 626 844 8888
www.everfocus.com
sales@everfocus.com

International Branch Offices:

China, Japan

